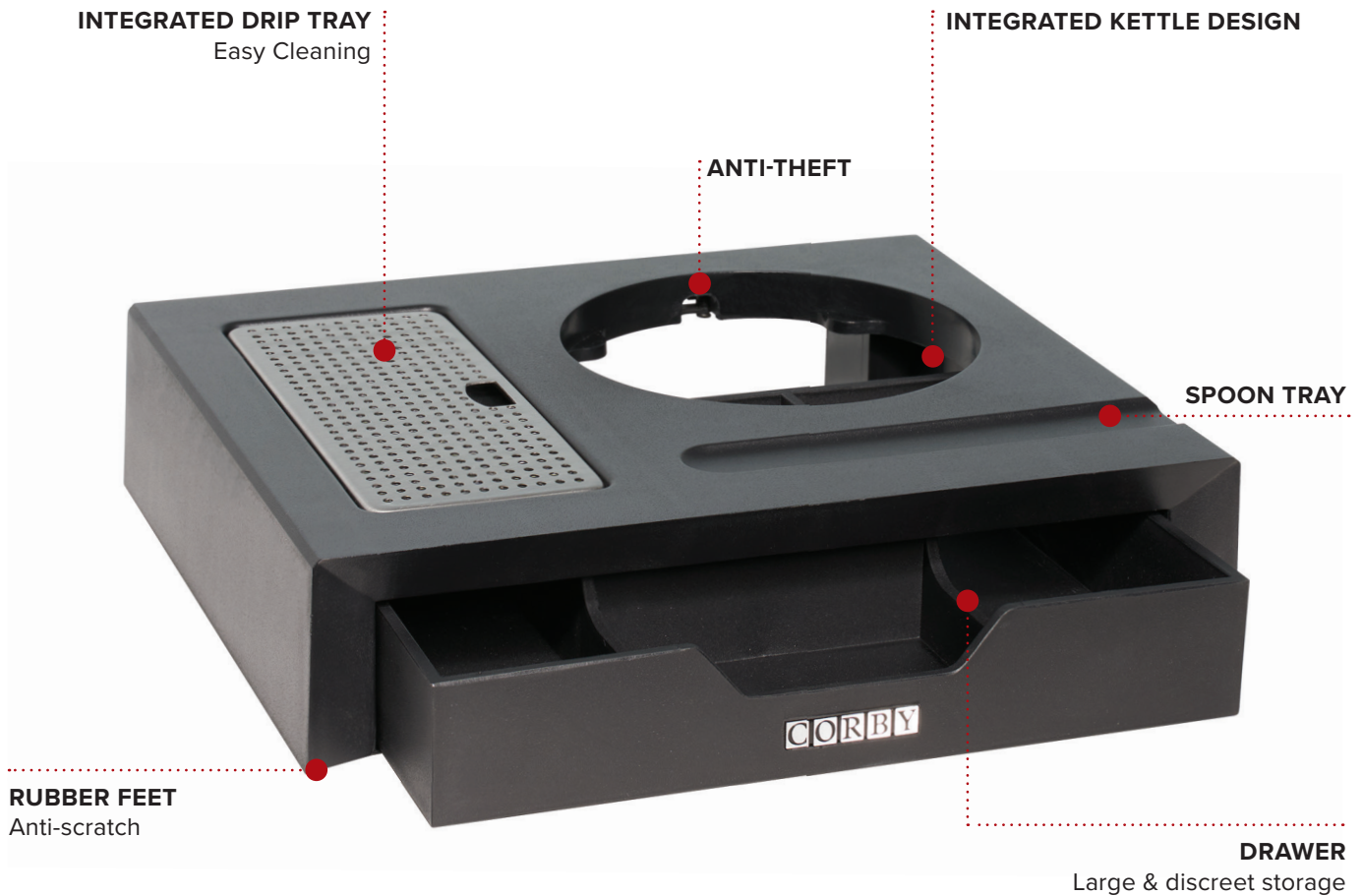


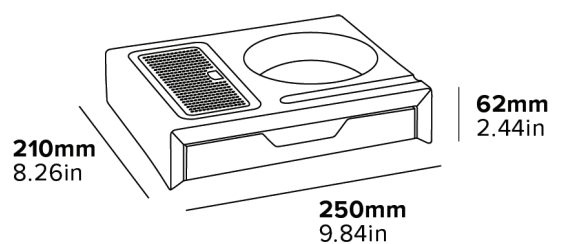
# CANTERBURY DRAWER WELCOME TRAY



- Accommodates Canterbury kettles
- Space saving design
- 100% water resistant
- Durable ABS and PA construction
- Compartment 1: (x2) H32 x W54 x D162mm
- Compartment 2: H32 x W91 x D99mm
- Compartment 3: H32 x W91 x D60mm

**Specification**

Black  
0.75kg



# CANTERBURY 0.6L KETTLE

**PUSH BUTTON LID**

Easy to open

**LARGE OPENING**

Easy cleaning

**INTEGRATED FILTER**

**304 GRADE STAINLESS STEEL**

High grade food material

**0.6L CAPACITY**

Designed for guest room use

**STRIX THERMAL CONTROLLER**

World leader in kettle controls

**CENTRALLY LOCATED LED INDICATOR SWITCH**

For left & right handed user

**CONCEALED HEATING ELEMENT**

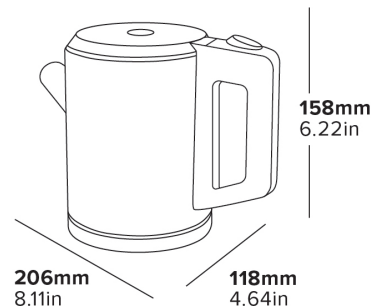
Easy to clean



- Space saving design
- 360° base
- Integrated water level markings
- Integrated power cord tidy

**Specification**

Brushed Steel  
1000W  
0.8kg  
Cable length: 0.8m



# CANTERBURY 1L KETTLE

**PUSH BUTTON LID**

Easy to open

**LARGE OPENING**

Easy cleaning

**INTEGRATED FILTER**

**304 GRADE STAINLESS STEEL**

High grade food material

**0.6L CAPACITY**

Designed for guest room use

**STRIX THERMAL CONTROLLER**

World leader in kettle controls

**CENTRALLY LOCATED LED INDICATOR SWITCH**  
For left & right handed user

**CONCEALED HEATING ELEMENT**  
Easy to clean



- Space saving design
- 360° base
- Integrated water level markings
- Integrated power cord tidy

**Specification**

Brushed Steel  
1500W  
0.82kg  
Cable length: 0.8m

