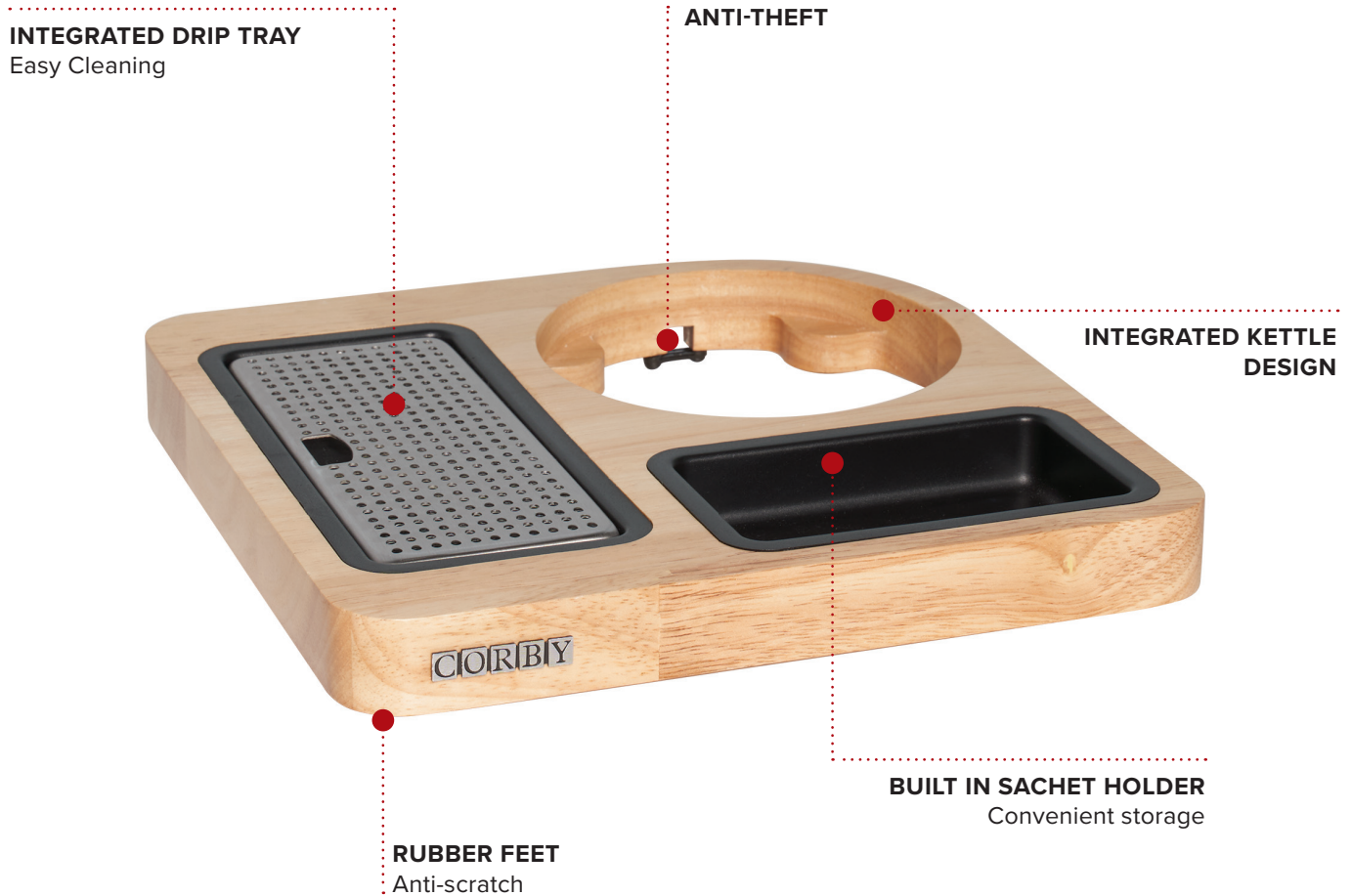
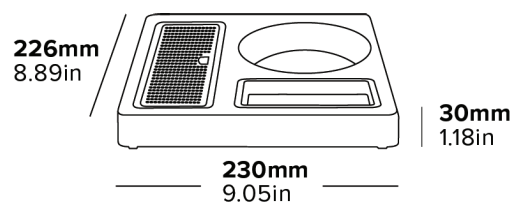


CANTERBURY COMPACT WELCOME TRAY



- Accommodates Canterbury kettles
- Space saving design
- Solid wood construction
- ABS Sachet holder: L105 x W60 x D20mm

Specification
Light Wood
0.6kg



CANTERBURY 0.6L KETTLE

PUSH BUTTON LID

Easy to open

LARGE OPENING

Easy cleaning

INTEGRATED FILTER

304 GRADE STAINLESS STEEL

High grade food material

0.6L CAPACITY

Designed for guest room use

STRIX THERMAL CONTROLLER

World leader in kettle controls

CENTRALLY LOCATED LED INDICATOR SWITCH

For left & right handed user

CONCEALED HEATING ELEMENT

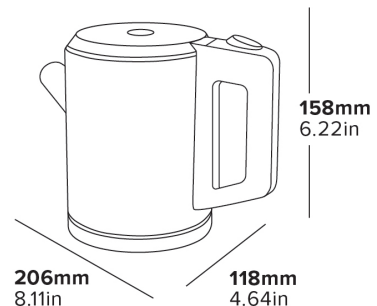
Easy to clean



- Space saving design
- 360° base
- Integrated water level markings
- Integrated power cord tidy

Specification

Brushed Steel
1000W
0.8kg
Cable length: 0.8m



CANTERBURY 1L KETTLE

PUSH BUTTON LID

Easy to open

LARGE OPENING

Easy cleaning

INTEGRATED FILTER

304 GRADE STAINLESS STEEL

High grade food material

0.6L CAPACITY

Designed for guest room use

STRIX THERMAL CONTROLLER

World leader in kettle controls

CENTRALLY LOCATED LED INDICATOR SWITCH
For left & right handed user

CONCEALED HEATING ELEMENT
Easy to clean



- Space saving design
- 360° base
- Integrated water level markings
- Integrated power cord tidy

Specification

Brushed Steel
1500W
0.82kg
Cable length: 0.8m

