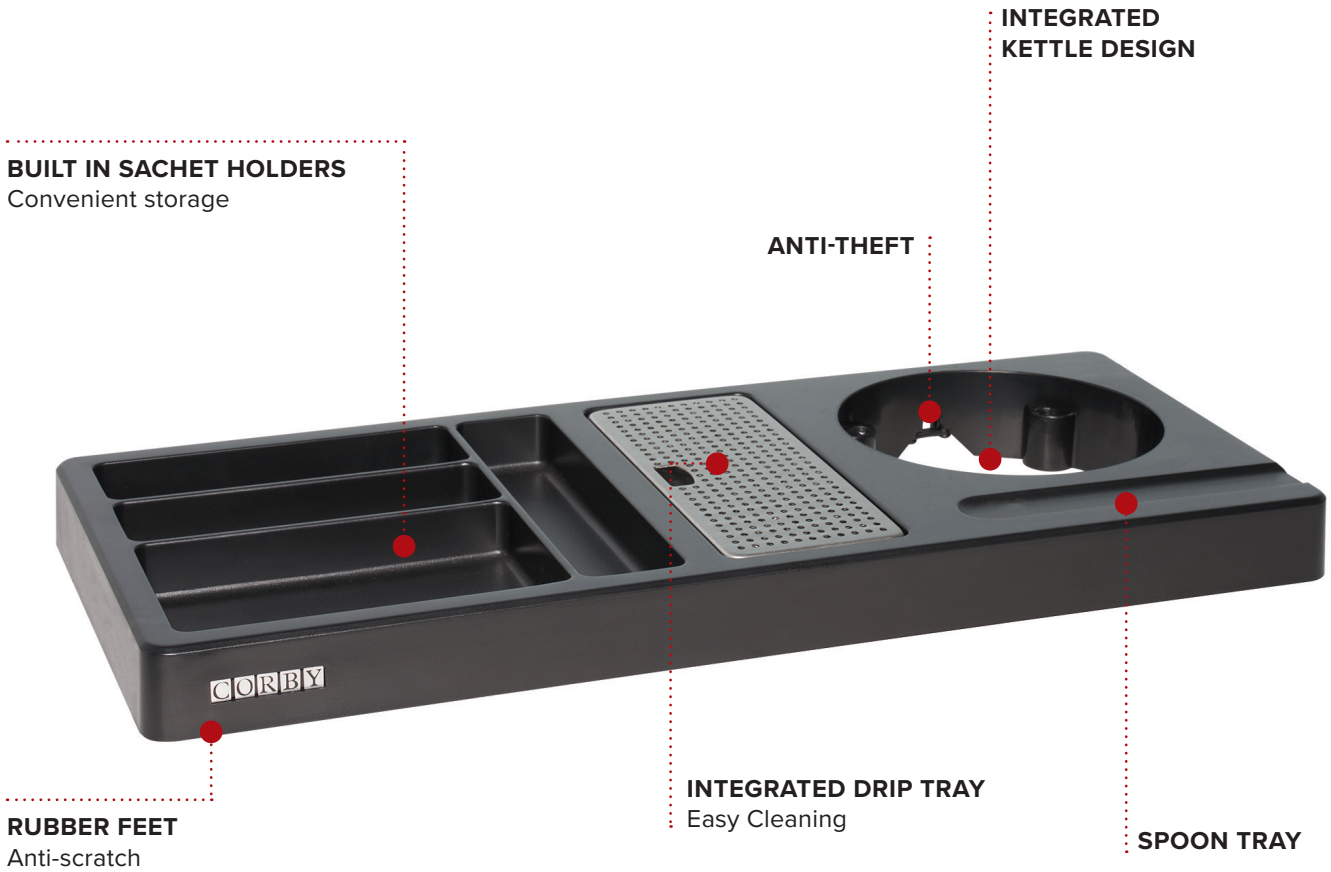


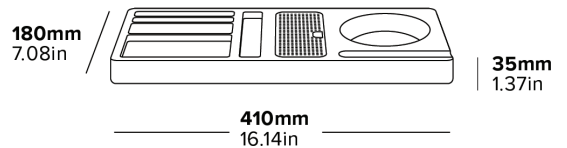
CANTERBURY CLASSIC WELCOME TRAY



- Accommodates Canterbury kettles
- 100% water resistant
- Durable ABS construction
- Compartment 1: H21 x W127 x D75mm
- Compartment 2: (x2) H21 x W127 x D37mm
- Compartment 3: H21 x W35 x D155mm

Specification

Black
0.35kg



CANTERBURY 0.6L KETTLE

PUSH BUTTON LID

Easy to open

LARGE OPENING

Easy cleaning

INTEGRATED FILTER

304 GRADE STAINLESS STEEL

High grade food material

0.6L CAPACITY

Designed for guest room use

STRIX THERMAL CONTROLLER

World leader in kettle controls

CENTRALLY LOCATED LED INDICATOR SWITCH

For left & right handed user

CONCEALED HEATING ELEMENT

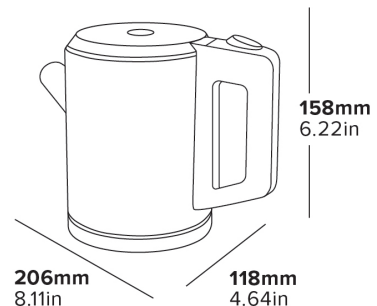
Easy to clean



- Space saving design
- 360° base
- Integrated water level markings
- Integrated power cord tidy

Specification

Brushed Steel
1000W
0.8kg
Cable length: 0.8m



CANTERBURY 1L KETTLE

PUSH BUTTON LID

Easy to open

LARGE OPENING

Easy cleaning

INTEGRATED FILTER

304 GRADE STAINLESS STEEL

High grade food material

0.6L CAPACITY

Designed for guest room use

STRIX THERMAL CONTROLLER

World leader in kettle controls

CENTRALLY LOCATED LED INDICATOR SWITCH

For left & right handed user

CONCEALED HEATING ELEMENT

Easy to clean



- Space saving design
- 360° base
- Integrated water level markings
- Integrated power cord tidy

Specification

Brushed Steel
1500W
0.82kg
Cable length: 0.8m

